



AIRSWAP // Air-end Exchange Program
A breath of fresh air



When you need reliable air, think AirSwap, the air-end exchange service from the global experts in compressed air. The convenience of AirSwap is only a phone call away, simply dial 1300COMPRESSOR and talk to our friendly staff about your needs.

How AirSwap works

Plan your scheduled downtime or in the event of a breakdown – call 1300 COMPRESSOR and we will ship you an off-the-shelf factory remanufactured air end, ready for installation by Sullair certified technicians.

Sullair AirSwap exchange air-ends are stocked with multiple gearing options for fast changeover to match your exact application.

Return your used air-end to us and we will strip it down at our manufacturing facility and give you a comprehensive factory tear down report, included in the cost of your AirSwap.

Each air-end is fully disassembled and inspected and each part assessed for serviceability. Typically, high end stage components are machined and bearings and bearing seals replaced.

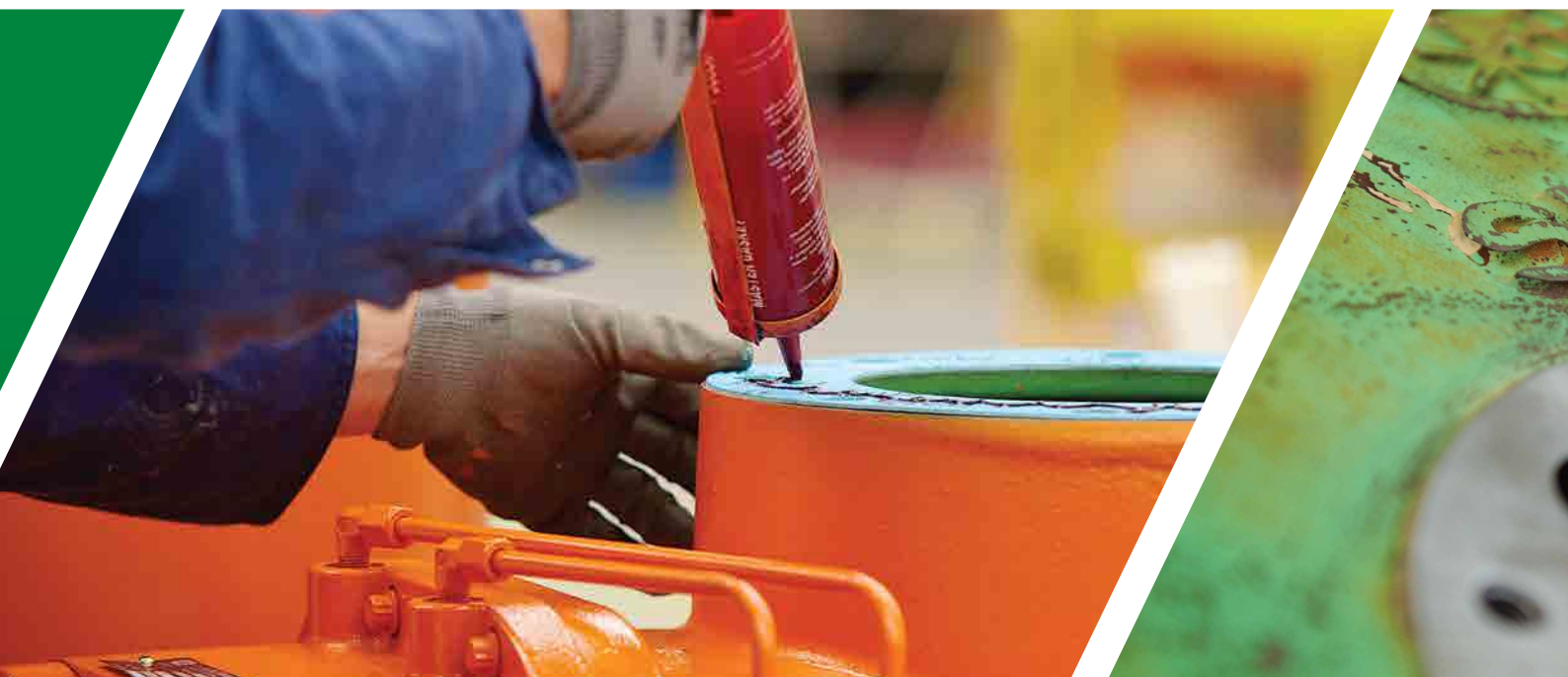
Air-ends are reassembled, lubricated, inspected and quality checked to the same manufacturing standards as new air-ends.

Sullair AirSwap uses only genuine Sullair parts – ensuring the quality and integrity of the remanufacturing process.

You get peace of mind knowing that AirSwap air-ends are backed by a full two year factory warranty*.

Don't get your exchange air-ends from anywhere else – you can't be sure unless it's a Sullair.

*When installed by a Sullair certified technician using Sullube or AWF lubricant, otherwise standard one year warranty applies.





All AirSwap exchange air-ends are remanufactured to our exacting factory quality standards at our Melbourne based ISO9001 manufacturing facility and are available for both our Sullair Diesel Portables range and our Champion range of industrial compressors.





**“WHEN TIME
IS MONEY,
I CHOOSE
AIRSWAP.”**

For us, Sullair's AirSwap means fast service and reduced downtime – and that's money in the bank.



With more than 40 fully trained service technicians nationally armed with the latest tools and diagnostics capability, we can bring our expertise and know-how to your site. Plan your preventative maintenance and give us a call and we can be on-site at your convenience to install your AirSwap air-end.

National support

Each of our seven service locations nationally carry AirSwap air-ends in the most popular models and are supported by our central warehouse. If it's in stock your AirSwap air-end will ship same day. If you need it faster, talk to us about our urgent air-freight options. No matter where you are, if you need air we'll get a replacement AirSwap air-end to your site fast.

AirSwap benefits

The convenience of off-the-shelf AirSwap air-ends will save you time and money. Return your used air-end to us and you will receive replacement credit based on our factory tear down inspection.

Time is money

Prevention is better than a cure – so why not schedule an air-end exchange with Sullair AirSwap – now? Replace your air-end during scheduled downtime and you will avoid the pain of a breakdown when you can least afford it. AirSwap air-ends are delivered on site for exchange when it suits you – meaning real time and money savings for your operation.

Fast shipping to your door

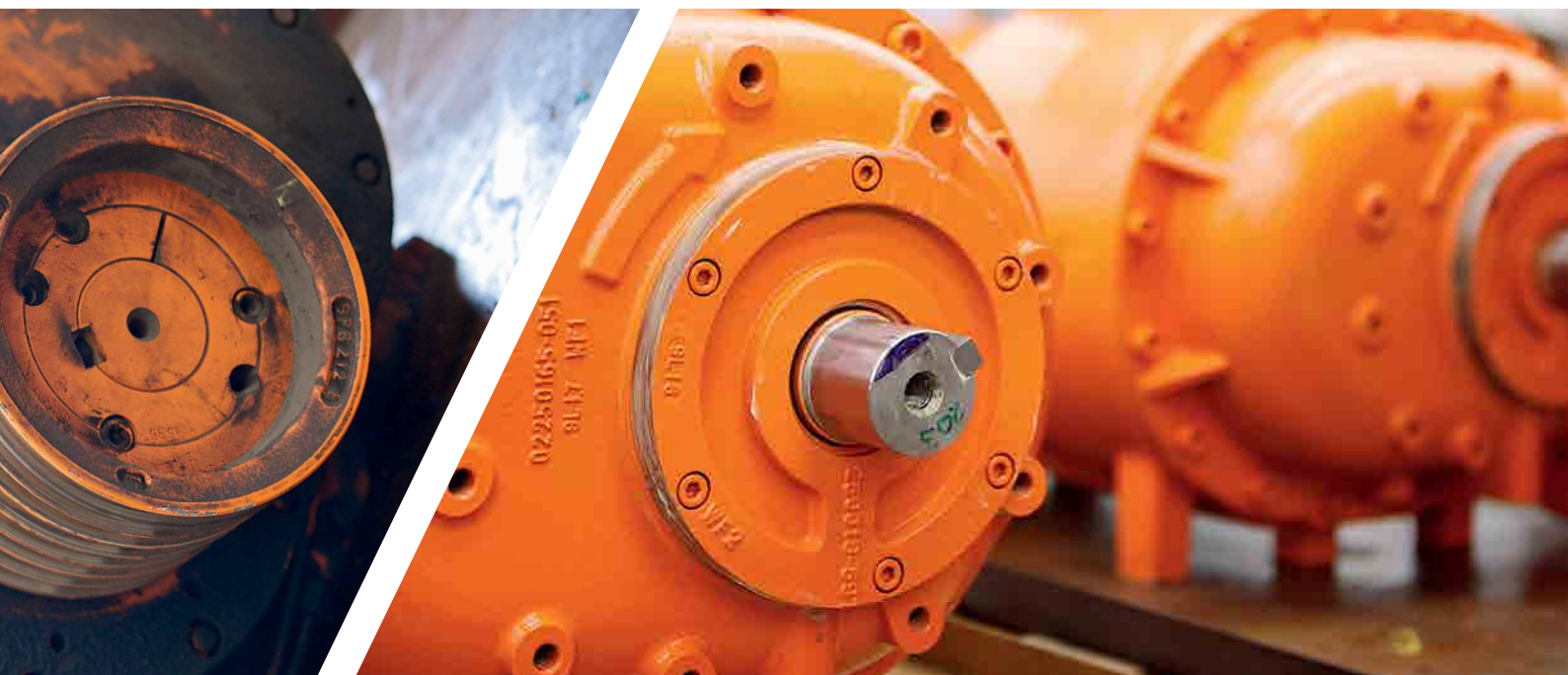
For fast delivery, Sullair exchange air-ends are also imported directly from Sullair in the United States and stocked in our branches. All AirSwap exchange air-ends are tested to the highest quality standards before shipping to you.

Trained technicians

Using a Sullair factory trained technician has great benefits. We guarantee we do the job properly because our technicians are factory trained and managed, and stand behind this with our full two year factory backed warranty*.

Any air-end, any time

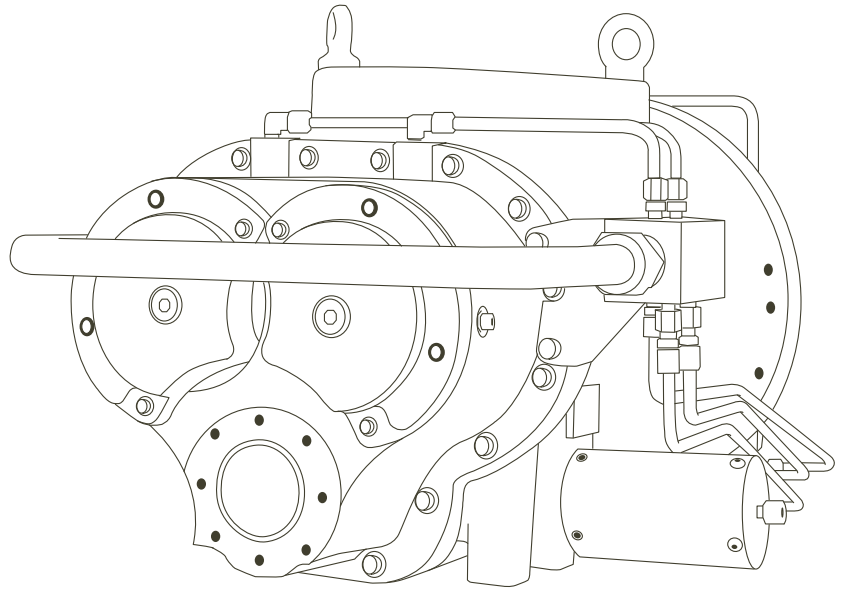
At Sullair we know you might need help with that spare air-end in the shed or that back-up unit that hasn't been used for a few years. Whatever the history, we're here to help. Got an air-end that is not a Sullair? Don't worry we can cover that too. Ask us about our no-obligation, all makes tear down and repair service.



SERIES	SIZE (DIAMETER)	WEIGHT (Kg)	AVAILABLE GEAR RATIOS
10 SERIES	102	130	2.56
			3.52
			3.70
12 SERIES	127	284	2.56
			2.75
			3.58
16 SERIES	163	450	1.35
			1.76
			1.85
			2.26
20 SERIES	204	600 – 850 – 1181	1.65
			1.74
			1.80
			1.93
			1.94
			2.06
			2.13
			2.26
			2.27
			2.46
			2.61
25 SERIES	255	1129	1.33
			1.46
			1.61
			1.73
			1.80
			2.03
32 SERIES	321	1438 – 1697 – 1721	1.27
			1.19

SAVE TIME AND MONEY WITH SULLAIR'S AIR-END EXCHANGE SERVICE

The convenience of AirSwap is only a phone call away, simply dial 1300COMPRESSOR to schedule your swap today.



All Sullair AirSwap air-ends are backed by a full factory warranty.

Each of our seven service locations nationally carry AirSwap air-ends in the most popular models and are supported by our central warehouse. If it's in stock your AirSwap air-end will ship same day.

Victoria

Head Office

324 -332
Frankston-Dandenong Rd
Dandenong South VIC 3175

Melbourne

324 -332
Frankston-Dandenong Rd
Dandenong South VIC 3175

Queensland

South Qld

30 Woomera Place,
Archerfield QLD 4108

North Qld

15 Central Park Drive
Paget, Mackay QLD 4740

New South Wales

Sydney

21 Garner Place,
Ingleburn NSW 2565

Newcastle

21 Ayrshire Crescent,
Sandgate NSW 2304

South Australia

Adelaide

178 Cormack Road
Wingfield SA 5013

Western Australia

Perth

46 Sorbonne Crescent
Canning Vale WA 6155