

CSI SERIES // Rotary Screw Compressors



Feature packed with powerful performance

 **CHAMPION**

**Benefit from** a choice of heavy duty models that deliver a lifetime of tough performance // quiet and thoughtful design that saves space and money // Champion genuine parts specifically engineered for long-term efficiency, durability and life time changes // Australian made technology made for Australian conditions backed with over 40 years of experience

#### Australian Design

Engineered and assembled in Australia for Australian conditions, Sullair's new air-cooled CSI range of 7.5 - 11 kW belt drive compressors provide exceptional energy efficiency and the ability to operate in hot, humid and dusty conditions. The machines come equipped with dirty environment packs as standard and are suitable for operating in ambient temperature upto 50°C.

#### Nationwide Customer Care

Sullair's support of its systems doesn't stop when you buy your compressor. From technical services, such as routine maintenance, to instructor led on and online training, to products and services to help you evaluate, monitor, and manage your compressed air system, Sullair provides everything you need to keep your system running smoothly.

#### High Quality Components

Sullair's CSI range is designed using high quality components designed for 100% duty in harsh environments. This coupled with innovative controls, highly efficient cooler technology, integrated airend block with efficient design minimises losses and improves efficiency to ensure your compressor will go distance.

#### Range of Features

The CSI range of machines come equipped with a wide range of features including IP65-rated enclosure, high efficiency cooler, phase sequencing relay, dirty environment pack, local/remote control selector and "Sullube" a biodegradable polyglycol synthetic lubricant.

#### Intelligent and flexible

The electrical cabinet and controller are IP 65 rated, with standard features such as phase sequencing relay, Isolator, IP20-Touch proof switchgear. The CSI range offers the flexibility of upgrading to meet your unique specifications with a wide range of options available.

#### One number for all your support

All Sullair products are backed by our national support network of branches and over 40 GPS tracked service vans. Our National Customer Response Centre is waiting to handle your technical enquiries, service bookings and emergency breakdowns. To speak to our experts, call 1300COMPRESSOR (1300 266 773).

- Smart Component Protection
- Enhanced Safety
- Ultra Quiet Performance
- Environmentally Considerate



The Australian designed Sullair CSI Compressors can save you thousands of dollars in energy costs. Reduce your carbon footprint and save money with Champion CSI machines. Feature packed with powerful performance for tough Australian conditions.



Every Sullair CSI has ease of servicing built in and is backed by a range of genuine spare parts and full factory warranty.

#### IN BUILT FLEXIBLE CONTROL

Our simple, cost-effective electronic control system provides you with constant air pressure, advanced protection to reduce wear and tear on components as well as sequencing for up to eight compressors and flexible remote monitoring and control.



#### CUSTOMISED OPTIONS

The CSI range of Compressors offer optional upgrades so your compressor can be built with your specific needs in mind. Choose from: 300L/500L tank mounting, integrated dryer, cyclopac filter, sump heater, stainless steel panels, etc.

#### Lowest lifetime cost

The Sullair CSI series is built tough and so we back it with a range of extended warranty options up to a full 10 years of peace of mind. And for the lowest lifetime costs - talk to us about service and maintenance plans that will save you thousands.

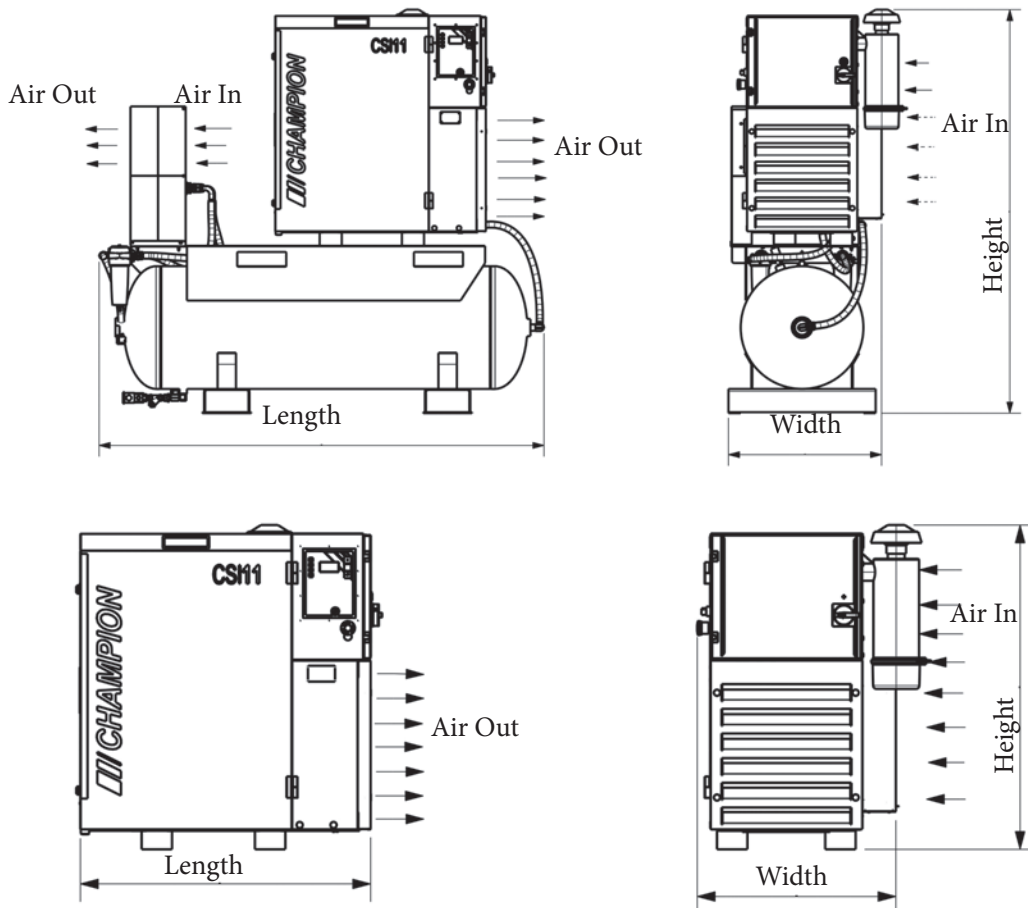


MODEL	MAX PRESSURE		CAPACITY - FREE AIR DELIVERY			MOTOR RATING		STARTER	NOISE LEVEL (dBA)	AIR DISCHARGE SIZE
	PSI	BAR	L/S	M <sup>3</sup> /MIN	CFM	KW	HP			
CSI 7.5	116	8	17.2	1.0	36.5	7.5	10	DOL	69	3/4"
	145	10	15.1	0.9	32					
	188	13	12.0	0.7	25.5					
CSI 11	116	8	24.5	1.5	52	11	15	STAR DELTA	70	3/4"
	145	10	21.2	1.3	45					
	188	13	18.4	1.1	39					

MODEL	DIMENSIONS <sup>1</sup> (mm)			WEIGHT (Kgs)	WEIGHT <sup>2</sup> (Kgs)
	L	W	H		
Base Mounted	858	558	935	240	NA
300L Tank Mounted	1813	634	1617	425	445
500 L Tank Mounted	2026	750	1717	460	480

1 - Does not include optional cyclopac

2 - Weight including dryer



## Nationwide 24/7 Compressor Service & Support

Contact Us

P: 1300 266 773

E: [sales@sullair.com.au](mailto:sales@sullair.com.au)

W: [www.sullair.com.au](http://www.sullair.com.au)



**SULLAIR**  
Always air. Always there.®