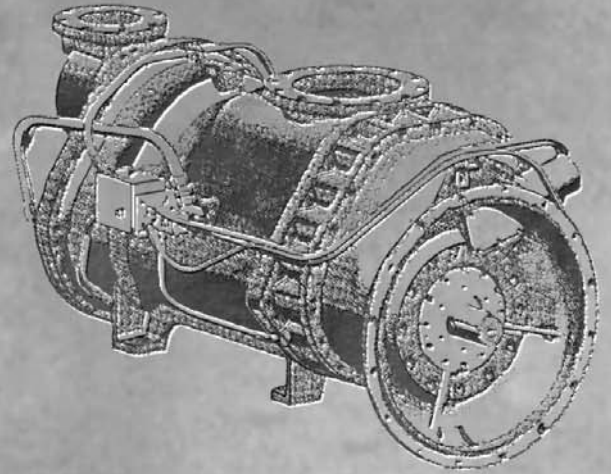




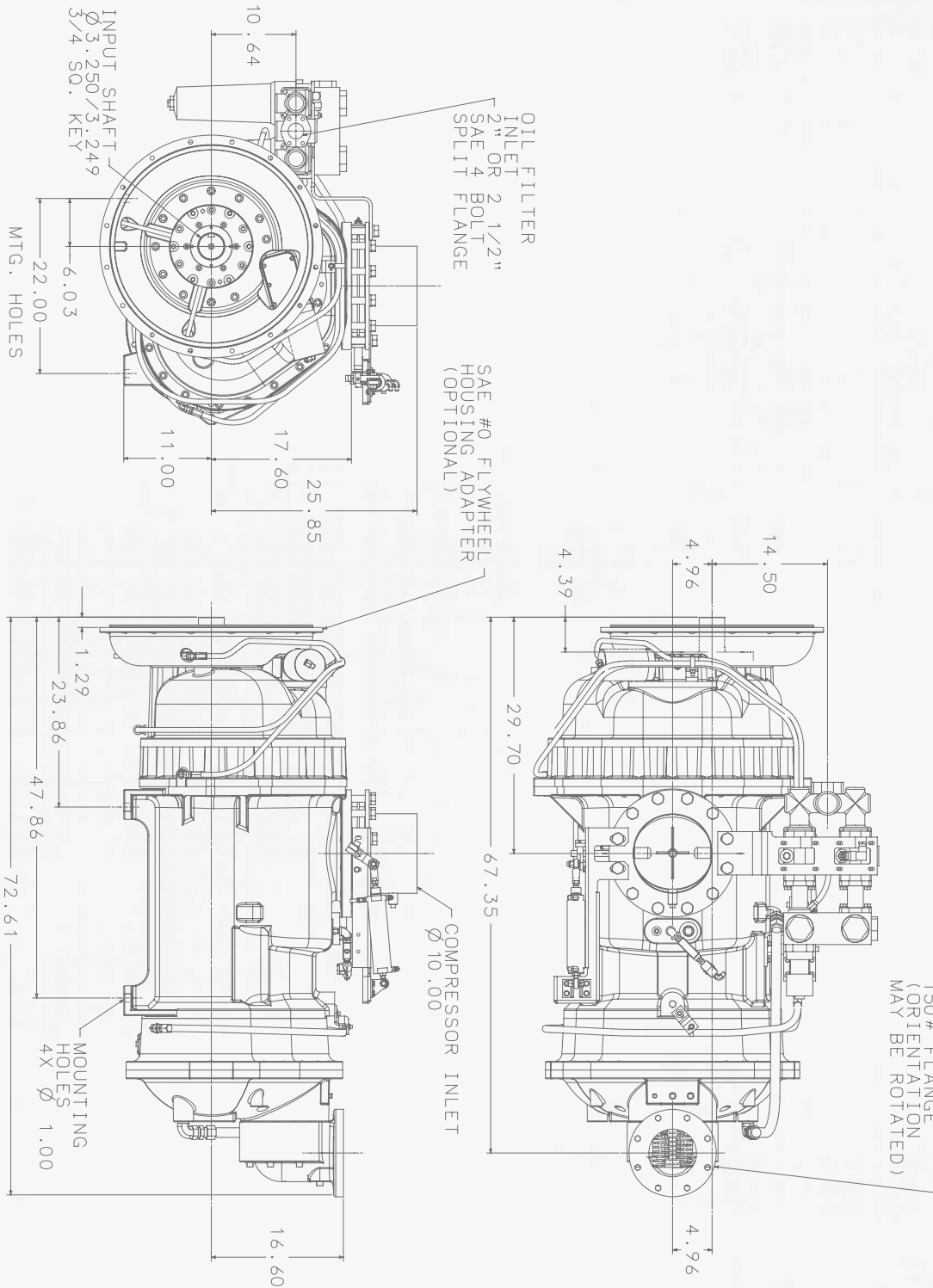
# SULLAIR®



## DRILL COMPRESSOR

### 2400 - 3850 CFM

### Up to 100 PSI





## Drill Compressor Horse Power Requirements\*

MODEL	PSIG (BAR)	ICFM/BHP AT 1800 RPM
2400	60 (4.1)	2394 / 387
2400	85 (5.8)	2379 / 470
2700	60 (4.1)	2774 / 452
2700	85 (5.8)	2756 / 548
3000	60 (4.1)	3089 / 510
3000	85 (5.8)	3073 / 620
3600	60 (4.1)	3612 / 615
3600	85 (5.8)	3595 / 752
3850	60 (4.1)	3946 / 677
3850	85 (5.8)	3930 / 828

\*The ratings in this table should be used to compare the different Sullair compressors to each other. Actual performance may vary depending on site conditions and package design.

### When you need...

...up to 100 psig (6.9 bar) air, the 2400 (68 m<sup>3</sup>/min) to 3850 cfm (109 m<sup>3</sup>/min) Sullair drill compressors can't be beat. Their rugged, two stage rotary screw design ensures they will be a match for any drilling application.

### Custom Engineering

Sullair Drill Compressors offer custom design and engineering services that give customers the most effective solution for their compressor applications. Careful review of specifications lets us determine whether they'll fit the application requirements we've developed from our years of experience. And Sullair drill compressor systems can be used with virtually any power source.

### Rotary Screw Reliability

The only major moving parts in a Sullair rotary screw compressor unit are the two rotors. Such mechanical simplicity gives the compressor unit great dependability and long life. Our two-year warranty covers loss of capacity caused by wear, as well as defects in material and workmanship.

### Installation Assistance

Of course installation requirements will vary... that's why our specialized service is available. You benefit from our years of experience with drill compressor units which enables us to assist you in designing an installation for each specific application.

**SULLAIR CORPORATION**  
3700 East Michigan Boulevard  
Michigan City, Indiana 46360 U.S.A  
www.sullair.com  
Telephone: 1-800-SULLAIR (U.S.A. only)  
Fax: 219-874-1273

**CUSTOMER CARE**  
**for PARTS and SERVICE**  
1-888-SULLAIR (785-5247)  
219-874-1835

### Specifications

**COMPRESSOR:** 2400 - 3850 CFM  
(32 Series Single-Stage)

**Type:** Rotary Screw

**Maximum Operating Pressure:** Up to 100 psi (6.9 bar)

**Cooling:** Pressurized Fluid

