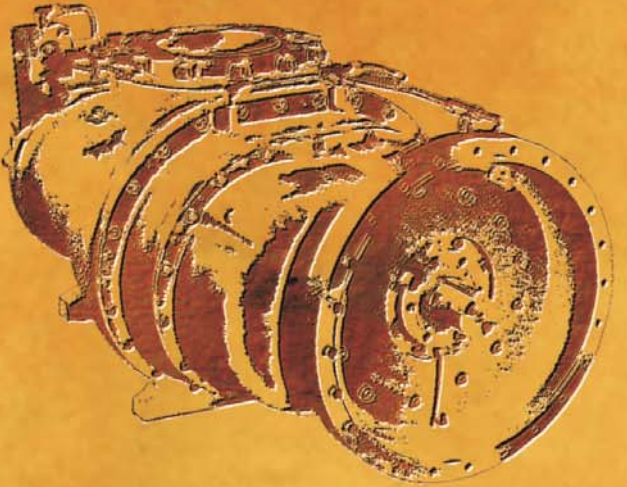




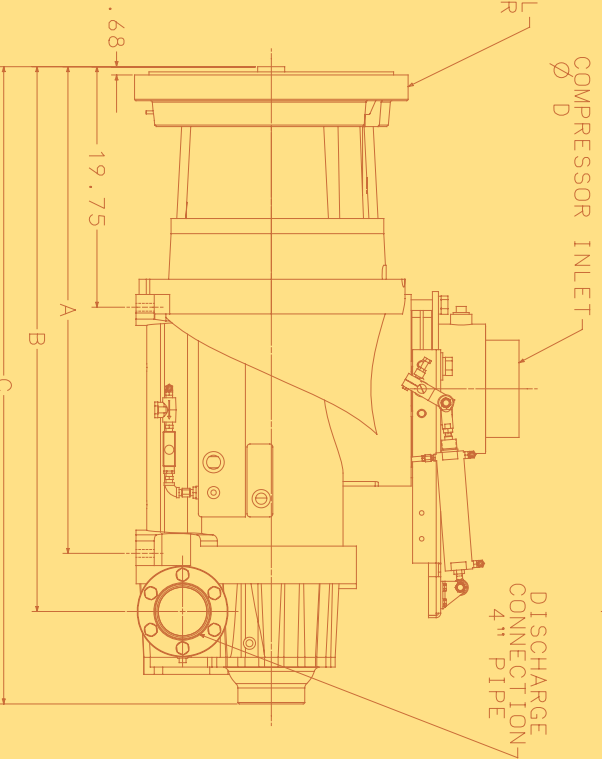
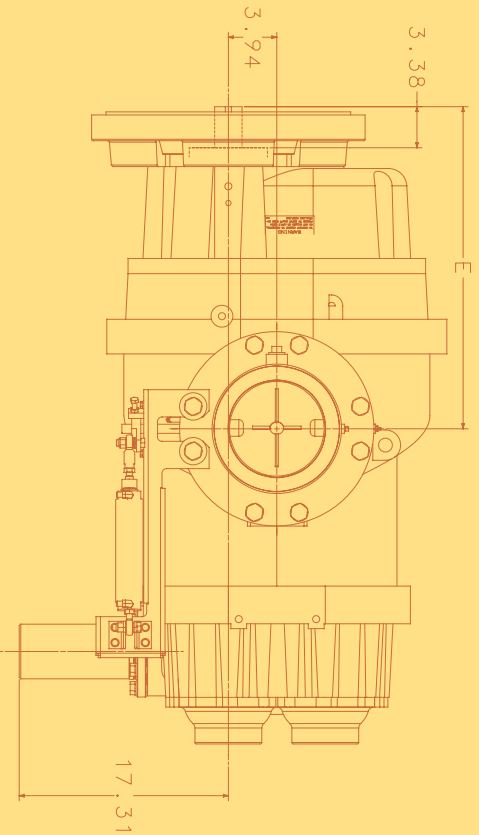
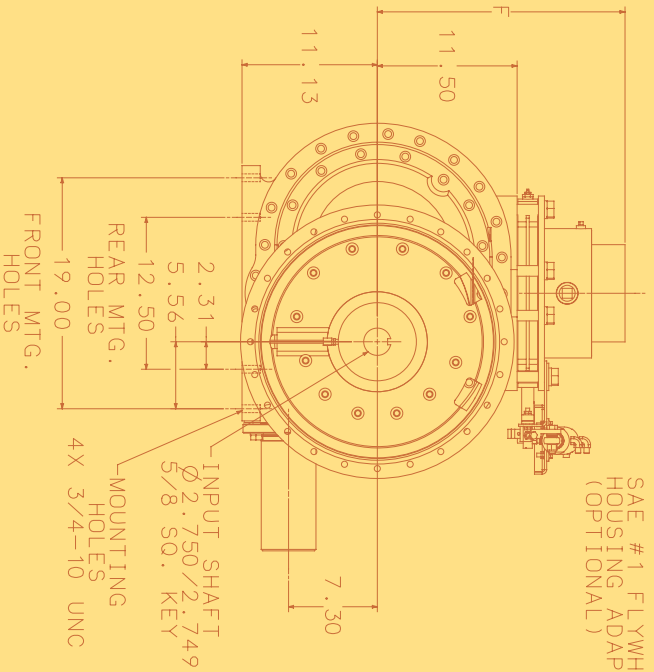
SULLAIR®



**DRILL
COMPRESSOR**

**1150 - 2000 CFM
Up to 200 PSI**

DIM	1.62 L/D	2.22 L/D
A	34.00	40.00
B	38.78	44.79
C	46.12	52.14
D	8.00	8.00 10.00
E	24.97	26.47
F	18.56	20.38 W/Ø 8.00 19.75 W/Ø 10.00





Drill Compressor Horse Power Requirements*

MODEL	PSIG (BAR)	ICM / BHP 1.62 L/D		ICM / BHP 2.22 L/D	
		AT 1800 RPM	AT 2100 RPM	AT 1800 RPM	AT 2100 RPM
1150	100 (6.9)	1186 / 266	1142 / 255	N / A	N / A
1150	175 (12.1)	1153 / 347	1110 / 333	N / A	N / A
1250	100 (6.9)	1274 / 289	1250 / 282	1331 / 295	1286 / 284
1250	175 (12.1)	1241 / 376	1217 / 368	1288 / 385	1244 / 372
1350	100 (6.9)	1329 / 304	1387 / 320	1455 / 324	1402 / 311
1350	175 (12.1)	1300 / 395	1354 / 416	1411 / 423	1359 / 407
1500	100 (6.9)	1496 / 350	1491 / 349	1500 / 334	1556 / 348
1500	175 (12.1)	1464 / 455	1459 / 454	1455 / 437	1511 / 454
1700	100 (6.9)	N / A	N / A	1735 / 394	1702 / 385
1700	175 (12.1)	N / A	N / A	1690 / 512	1657 / 501
2000	100 (6.9)	N / A	N / A	2037 / 477	2030 / 475
2000	175 (12.1)	N / A	N / A	1994 / 620	1987 / 618

*The ratings in this table should be used to compare the different Sullair compressors to each other. Actual performance may vary depending on site conditions and package design.

When you need...

...up to 200 psig (13.8 bar) air, the 1150 (32.6 m³/min) to 2000 cfm (42 m³/min) Sullair drill compressors can't be beat. Their rugged, two stage rotary screw design ensures they will be a match for any drilling application.

Custom Engineering

Sullair Drill Compressors offer custom design and engineering services that give customers the most effective solution for their compressor applications. Careful review of specifications lets us determine whether they'll fit the application requirements we've developed from our years of experience. And Sullair drill compressor systems can be used with virtually any power source.

Rotary Screw Reliability

The only major moving parts in a Sullair rotary screw compressor unit are the two rotors. Such mechanical simplicity gives the compressor unit great dependability and long life. Our two-year warranty covers loss of capacity caused by wear, as well as defects in material and workmanship.

Installation Assistance

Of course installation requirements will vary... that's why our specialized service is available. You benefit from our years of experience with drill compressor units which enables us to assist you in designing an installation for each specific application.

Specifications

COMPRESSOR: 1150 - 2000 CFM
(25 Series Single-Stage)

Type: Rotary Screw

Maximum Operating Pressure: Up to 200 psi (13.8 bar)

Cooling: Pressurized Fluid

SULLAIR CORPORATION
3700 East Michigan Boulevard
Michigan City, Indiana 46360 U.S.A
www.sullair.com
Telephone: 1-800-SULLAIR (U.S.A. only)
Fax: 219-874-1273

CUSTOMER CARE
for PARTS and SERVICE
1-888-SULLAIR (785-5247)
219-874-1835

